

OCT 12th - Cerritos, CA

OCT 20th - Lake Oswego, OR

LINK UP

Connect with the growing community of professionals that come to KETIV for advanced training and business solutions.

RAMP UP

Put your career in gear with sessions and workshops offered by world-class trainers on best practices and techniques.

MOVE UP

Elevate your practical skills and expand your prospects with new Autodesk 2011 solutions that improve your workflows and increase your competitive advantage.

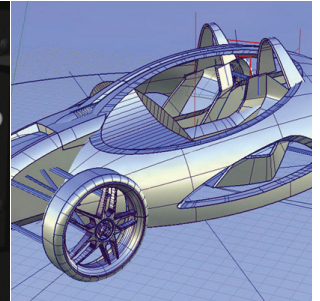
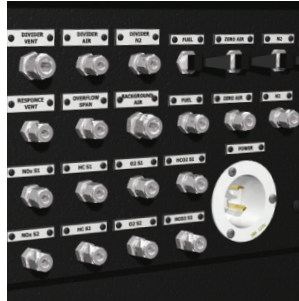
SIGN UP

Join us and discover how much value you can receive in a day of training, networking, and sharing. Need more boom in your BIM? Want a mentor for Inventor? This is the event for you.

In addition to Autodesk, this year HP is a partner providing a roomful of laptops for instruction. At the suggestion of attendees last year we've added a fourth track to provide the learning experience you can only get with hands-on training.

Register Today for KETIV AMA | 2010

We have other special offers—contact your KETIV representative today to see if you qualify. Visit us at ama.ketiv.com or call **866-465-3848** for all the details.



Visit us online at ama.ketiv.com

- Learn the top 7 reasons you should attend this one-day seminar
- Subscription customers get **two registrations for the price of one** if they sign up before September 12th
- Choose from 16 sessions carefully designed to improve your skills
- Register online in 4 easy steps

Everything you need to take advantage of this exciting event is available online.